



8.0 Blown Fibre Joints

8.1 Blown Fibre Joints

BFJ - Blown Fibre Joint Closure

133

8.1 Blown Fibre Joints

Introduction

The BFJ – Blown Fibre Joint closure is a ready access round closure which is suited for use as a straight through joint, a customer drop port or a centre blow point within blown fibre underground networks.

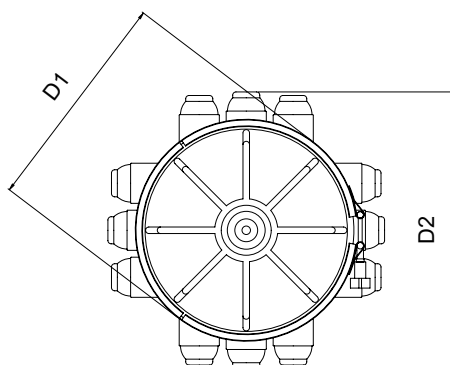
The mid-range capacity offered by the BFJ makes it suitable for use in FTTH access and MAN, WAN or trunk networks.

The two closure options of the BFJ with a single base configuration offer 12 ports, in blocks of 3 set at right angles to each other, around the circumference of the closure.

The cover is environmentally sealed to the base using an 'O' ring and clamp, whilst the cables are sealed using either Cablelok mechanical seals or heatshrink sleeve.

Features and Benefits

- Suitable for trunk, metropolitan and FTTH network applications
- Two closure options which offer a dual or single access option
- 12 round ports which accept a maximum duct/cable diameter of 50mm
- Suitable for blown fibre/cable applications
- Large internal diameter
- Cover supplied with an integral pressure relief valve
- For use in underground applications



Blown Fibre Joint Configuration

Port	Number of Ports	Cable Range (mm)	
		Cablelok	Heatshrink
S	12	5.0 – 20.0	12.0 – 26.0
B	12	4.8 – 16.5	6.0 – 19.0



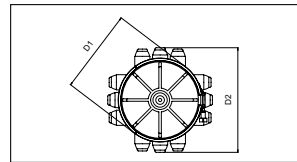
BFJ - Blown Fibre Joint Closure

Features and Benefits

- Multi-port base configuration
- 300mm internal bend diameter
- Two closure options which offer a dual or single access option
- Pre-fitted duct/cable organiser
- Integral pressure relief valve
- Cablelok compatible for all port sizes



Blown Fibre Joint 12 Port Closure



Blown Fibre Joint Dimensions

Technical Description

The BFJ closures are manufactured from cross linked polyethylene (PEX) and offers two closure options, a dual access (BFJ2131) or single access closure (BFJ2244). The dual access option consists of a removable bottom cover, a removable top cover and a body, the single access option consists of a body with integral base and removable top cover.

Both closures are environmentally sealed using 'O' ring(s) and stainless steel clamp(s) and are fitted with a 5 psi (35Kpa) pressure relief valve.

The base configuration is 12 ports (4 sets of 3), set at right angles to each other and the maximum diameter of duct or cable accepted by each port is 20.0mm when using Cablelok mechanical seals and 26.0mm when using heatshrink.

The pre-fitted duct tube organiser allows for routing of blown fibre mini duct tubes or cable up to a maximum diameter of 5.0mm.

TYPE	Width D1 (mm)	Width D2 (mm)	Height H (mm)	Base Type	Port count	Port	Article-No.
BFJ2131	335	424	238.0	Cablelok, Heatshrink	12	B, S	857-00000
BFJ2244	335	424	238.0	Cablelok, Heatshrink	12	B, S	857-00006

All dimensions in mm. Subject to technical changes.

Content of Set/Kit

- BFJ Closure (Single or Dual access)
- Pressure Relief Valve
- Sealing 'O' Ring(s)
- Stainless Steel Clamp(s)
- Duct Tube/Cable Organisers

Quality Content for You...



The HellermannTyton website provides customers with a smooth online experience with fluid navigation and search functionality, enhanced product information and quality downloadable content.

Features and Benefits

- Fast and Comprehensive Navigation
- Responsive Design that adapts for Monitor, Tablet or Smart Phones
- Quality Product Images and Technical Information
- Full LAN, LightGuide 2 and Broadband Catalogue Range Online
- New Improved Search Functionality
- Content Rich Download Area for Brochures and Data Sheets
- Media Centre for Installers Showcasing YouTube Videos and Full Installation Guides

Download FREE Brochures, Flyers, Datasheets and Visio Stencils from the HellermannTyton website:

htdata.co.uk

Stay in touch with us!

